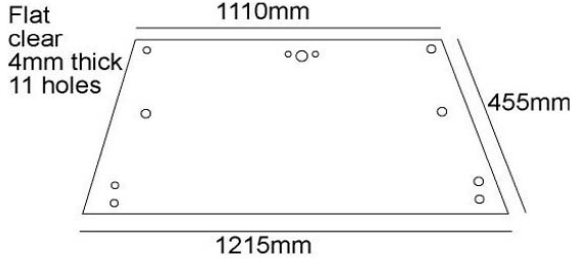
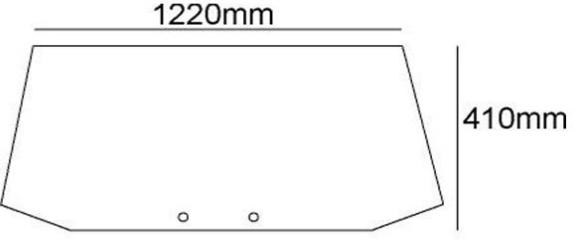
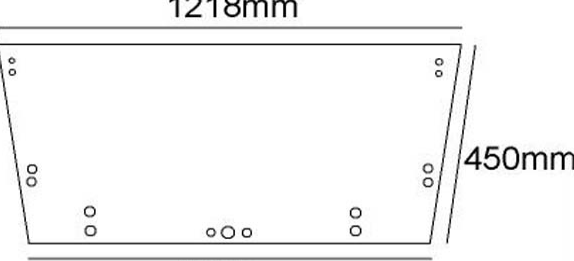
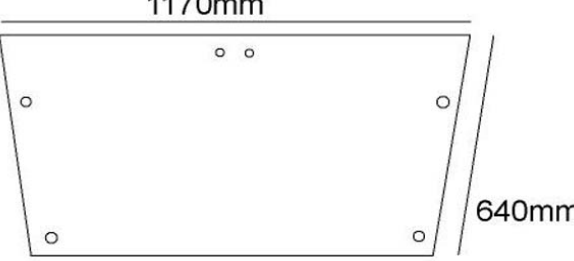
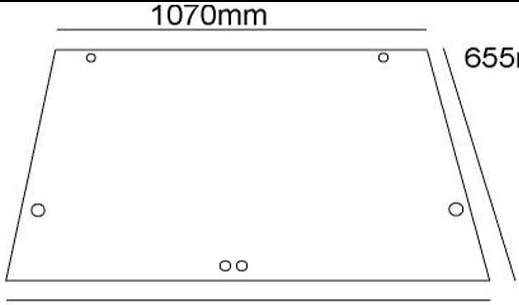


MAKE	DESCRIPTION	OUR PART No	Diagram	APPLICATION
FORD / N.H.	UPPER REAR (NOT POPULAR)	RP525	 <p>Flat clear 4mm thick 11 holes</p>	
FORD / N.H.	LOWER REAR SUPER Q (TINTED)	RP526	 <p>Flat, tinted, 4mm thick, 2 holes</p>	5110, 5610, 6410, 6610, 6810, 7610, 6710, 7710, 7810, 7910, 8210, 8530, 8630, 8730, 8830, TW5, TW15, TW25, TW35
FORD / N.H.	UPPER REAR SUPER Q (TINTED)	RP527	 <p>Flat, tinted, 4mm thick, 15 holes</p>	5110, 5610, 6410, 6610, 6810, 7610, 6710, 7710, 7810, 7910, 8210, 8530, 8630, 8730, 8830, TW5, TW15, TW25, TW35
FORD / N.H.	UPPER REAR (AP & LP) *OLDER CAB*	RP528	 <p>Flat, clear, 5mm thick, 6 holes</p>	AP Cab - 5110, 5610, 6410, 6610, 6810, 7610, LP Cab - 3910, 4110, 4610, 5110, 5610, 6410, 6610, 6810, 7610. INDUSTRIAL : AP Cab - 3910H, 4610H, 5610H, 6610H, LP Cab - 3910H, 4610H, 335

<p>FORD / N.H.</p>	<p>REAR (AP & LP) 'NEW TYPE'</p>	<p>RP529</p>	 <p>1070mm</p> <p>655mm</p> <p>1237mm</p> <p>Flat, clear, 6mm thick, 6 holes</p>	<p>AP Cab - 3430, 3930, 4130, 4630, 4830, 5030. LP Cab - (from 01/09/1992 onwards) : 3230, 3430, 3930, 4130, 4630, 4830, 5030</p>
--------------------	--------------------------------------	--------------	--	---