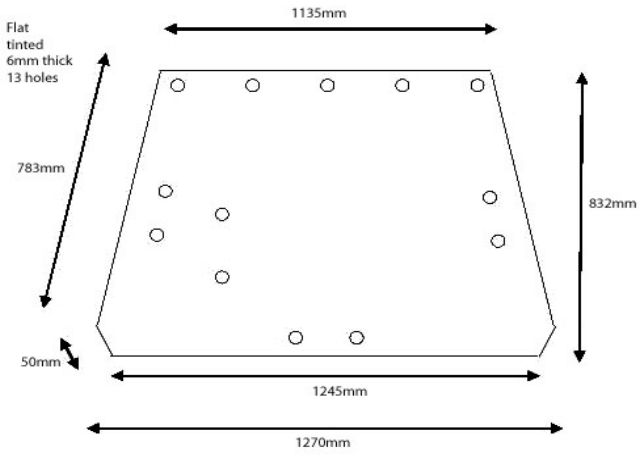
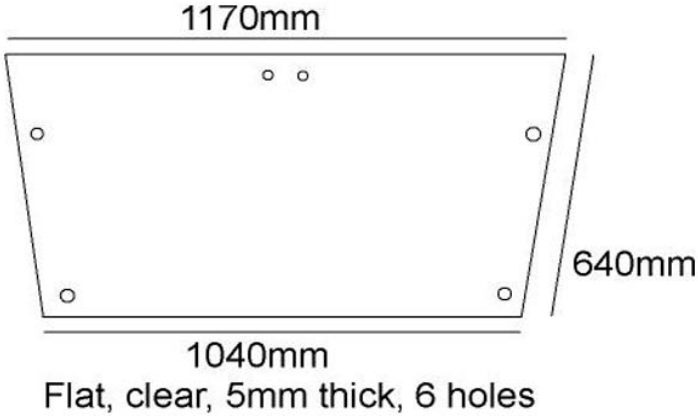


MAKE	DESCRIPTION	OUR PART No	Diagram	APPLICATION
JOHN DEERE	SG2 REAR (TINTED) 5 HOLE MOUNT	RP825	 <p>Flat tinted 6mm thick 13 holes</p> <p>1135mm</p> <p>783mm</p> <p>832mm</p> <p>50mm</p> <p>1245mm</p> <p>1270mm</p>	SG2 CAB 1640, 2040, 2140, 3040, 3140, 3640, 1550, 1750, 1850, 1950, 2250, 2450, 2650, 2850, 3050, 3350, 3650
JOHN DEERE		RP528	 <p>1170mm</p> <p>640mm</p> <p>1040mm</p> <p>Flat, clear, 5mm thick, 6 holes</p>	