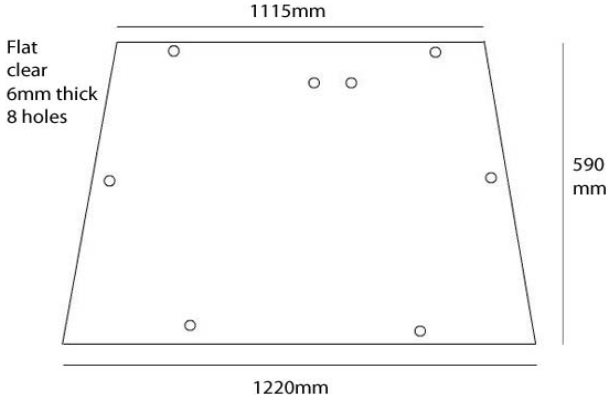
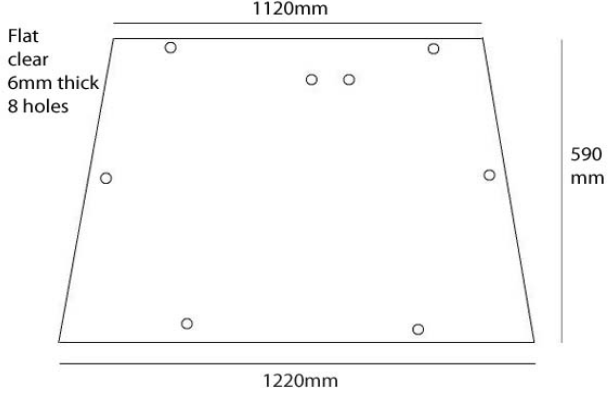
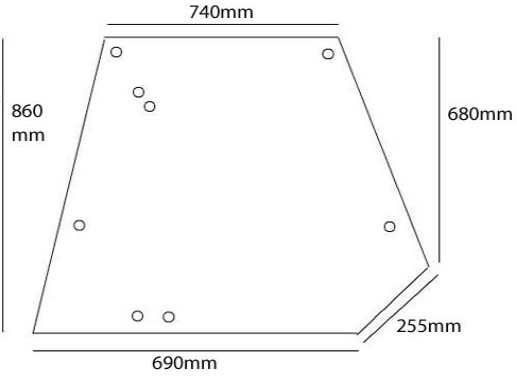
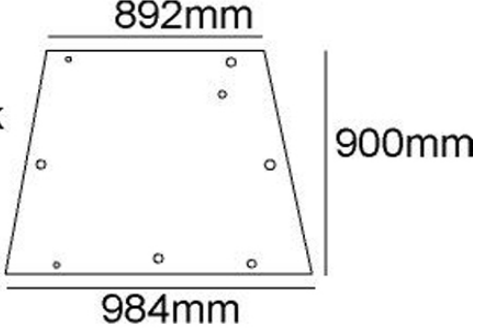
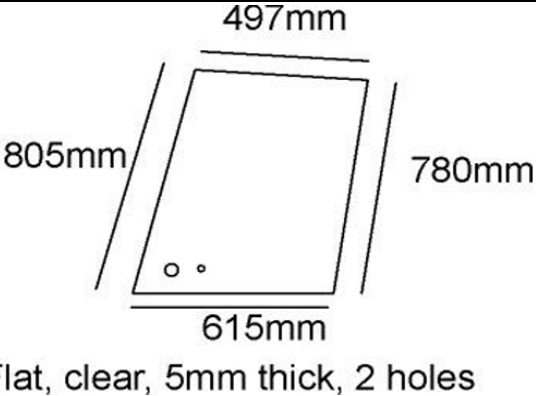
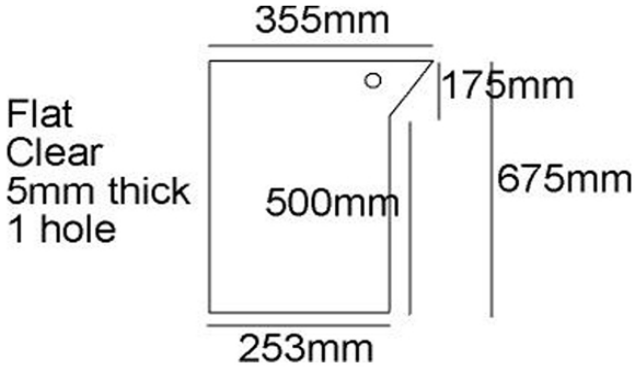
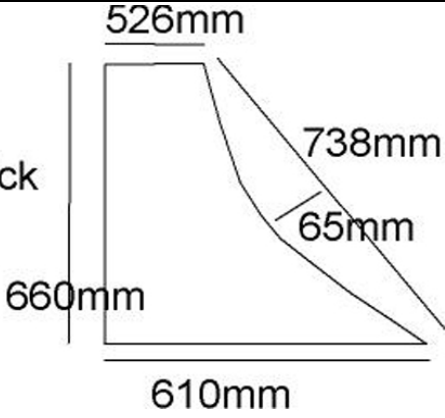
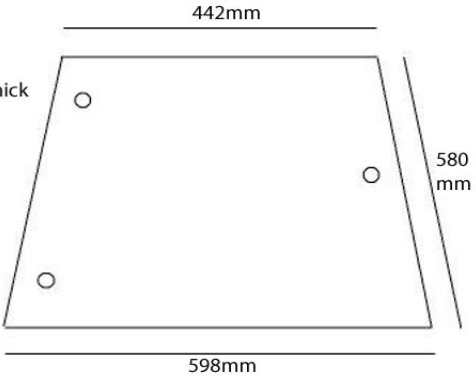
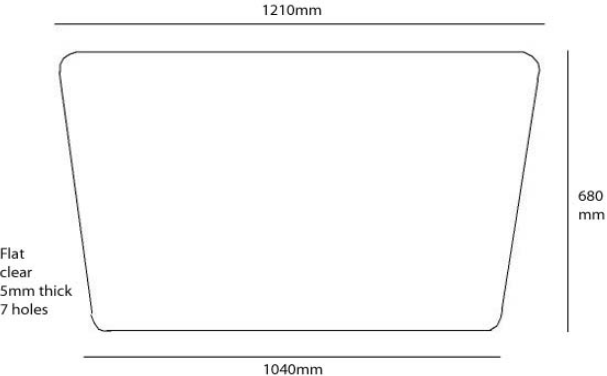
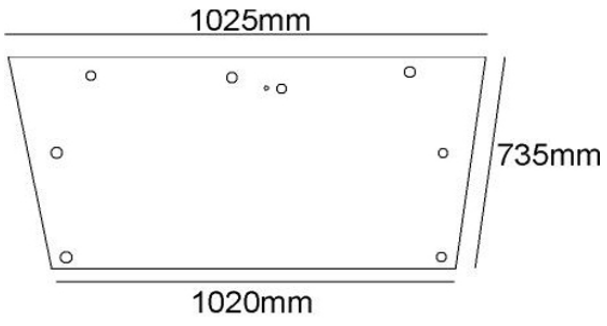
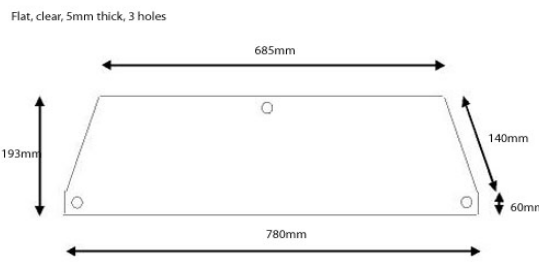


MAKE	DESCRIPTION	OUR PART No	Diagram	APPLICATION
MF	REAR 390 BLACK CAB	RP225	 <p>Flat clear 6mm thick 8 holes</p> <p>1115mm</p> <p>590 mm</p> <p>1220mm</p>	
MF	REAR 390 SILVER CAB	RP226	 <p>Flat clear 6mm thick 8 holes</p> <p>1120mm</p> <p>590 mm</p> <p>1220mm</p>	

<p>MF</p>	<p>REAR 6110 ETC</p>	<p>RP227</p>	<p>Flat tinted 5mm thick 8 holes</p>  <p>740mm 860mm 680mm 690mm 255mm</p>	
<p>MF</p>	<p>REAR WINDOW</p>	<p>RP228</p>	<p>Flat Tinted 6mm thick 8 holes</p>  <p>892mm 900mm 984mm</p>	

<p>MF</p>	<p>UPPER DOOR L/H R/H</p>	<p>RP229</p>	 <p>Flat, clear, 5mm thick, 2 holes</p>	<p>Low-profile & Hi-Line Cab: 342, 350, 352, 355, 360, 362N, 365, 372N, 375, 382N, 390, 390T, 398, 399</p>
<p>MF</p>	<p>LOWER FRONT L/H R/H</p>	<p>RP230</p>	 <p>Flat Clear 5mm thick 1 hole</p>	<p>Low-profile & Hi-Line Cab: 342, 350, 352, 355, 360, 362N, 365, 372N, 375, 382N, 390, 390T, 398, 400</p>

<p>MF</p>	<p>LOWER DOOR L/H R/H</p>	<p>RP231</p>	<p>Flat Clear 5mm thick 0 holes</p> 	<p>Low-profile & Hi-Line Cab: (from N1006 : 350, 355, 360, 365, 375, 390, 398, 399) 342, 352, 362, 362N, 372N, 382N, 390T</p>
<p>MF</p>	<p>SIDE L/H R/H</p>	<p>RP232</p>	<p>Flat clear 5mm thick 3 holes</p> 	<p>Low-profile & Hi-Line Cab: (to N11005) 350, 355, 360, 365, 375, 390, 398, 399</p>

<p>MF</p>	<p>REAR 290 (GKN CAB LPQ)</p>	<p>RP233</p>	 <p>1210mm</p> <p>680mm</p> <p>1040mm</p> <p>Flat clear 5mm thick 7 holes</p>	
<p>MF</p>	<p>REAR 690 (600 SERIES)</p>	<p>RP234</p>	 <p>1025mm</p> <p>735mm</p> <p>1020mm</p> <p>Flat, tinted, 6mm thick, 9 holes</p>	
<p>MF</p>	<p>300series Lower Rear</p>	<p>RP235</p>	 <p>Flat, clear, 5mm thick, 3 holes</p> <p>685mm</p> <p>193mm</p> <p>140mm</p> <p>60mm</p> <p>780mm</p>	<p>Low-profile & Hi-Line Cab: 342, 350, 352, 355, 360, 362 to B18008, 362N, 365, 372N, 375, 382N, 390, 390T, 398, 399, Forestry Cab: 365, 375, 390, 390T, 399</p>