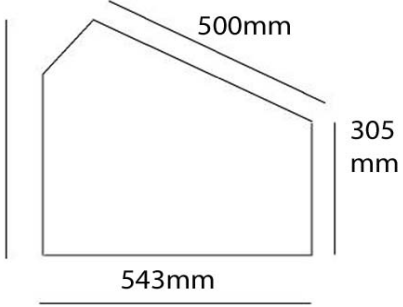
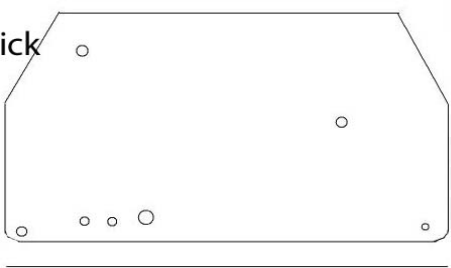
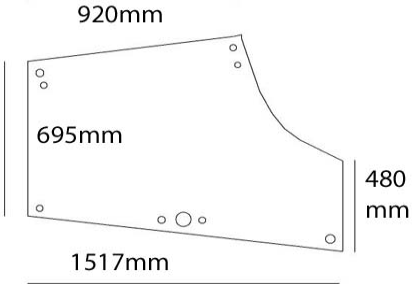
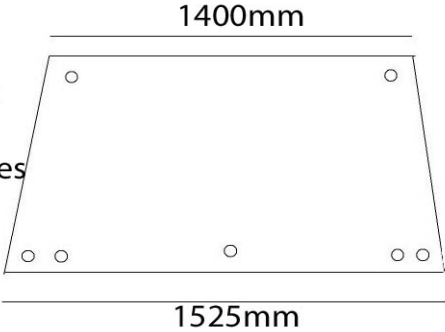
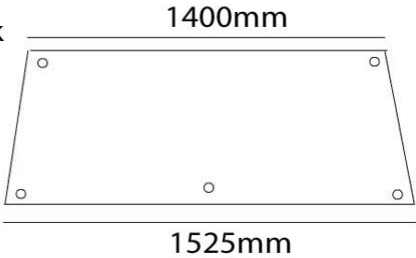
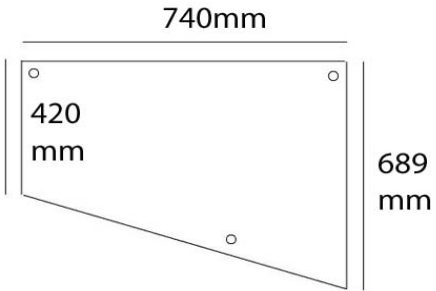
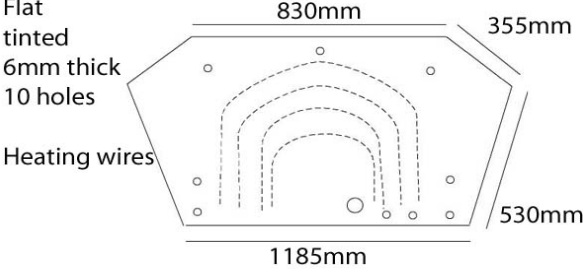
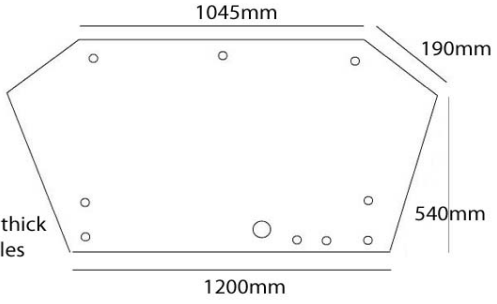
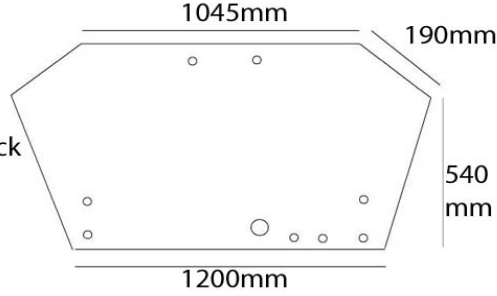
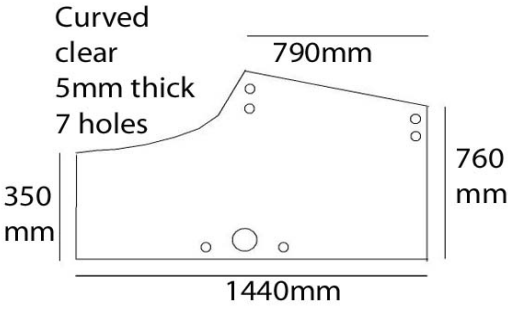
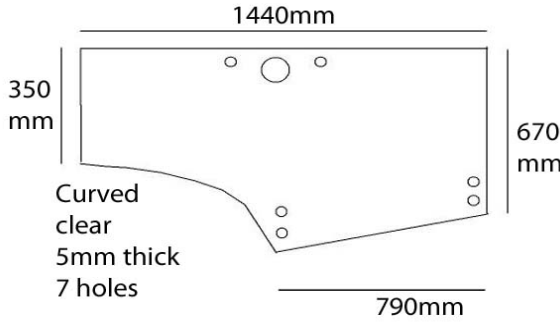
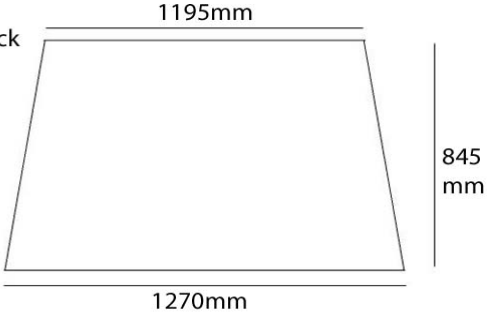
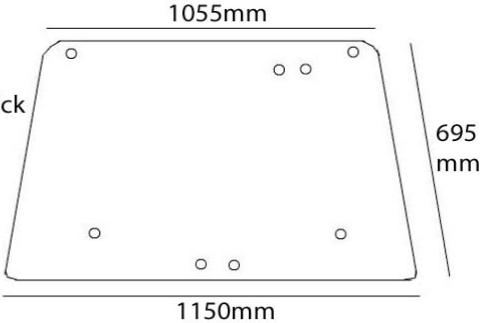
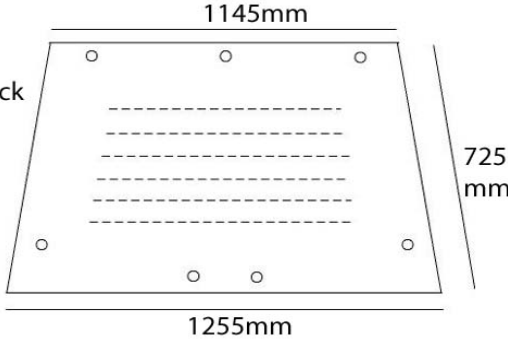
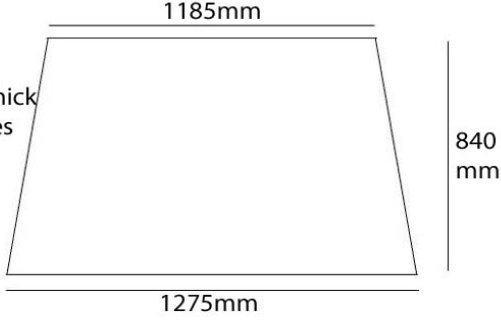


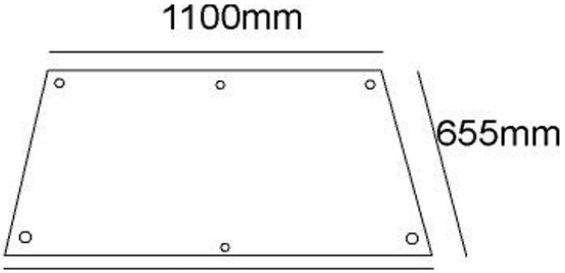
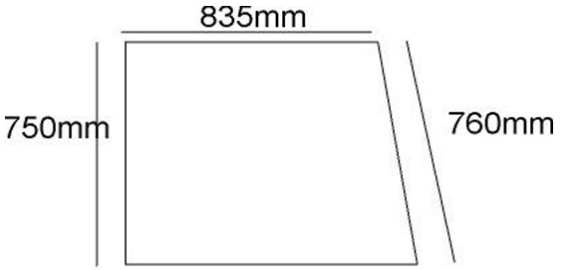
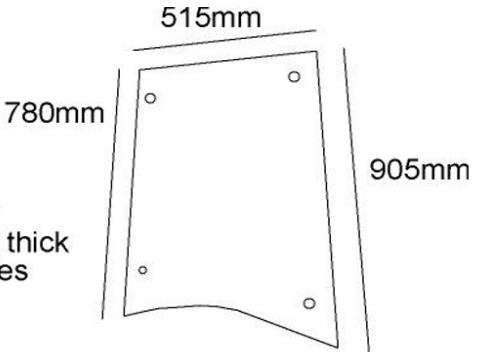
MAKE	DESCRIPTION	OUR PART No	Diagram	APPLICATION
ZETOR	BOTTOM DOOR L/H R/H	59117962	<p>Flat Clear 5mm thick 0 holes</p> 	
ZETOR	REAR	10368441	<p>Flat clear 6mm thick 7 holes</p> 	
ZETOR	DOOR GLASS	10368056	<p>Flat clear 6mm thick 9 holes</p> 	

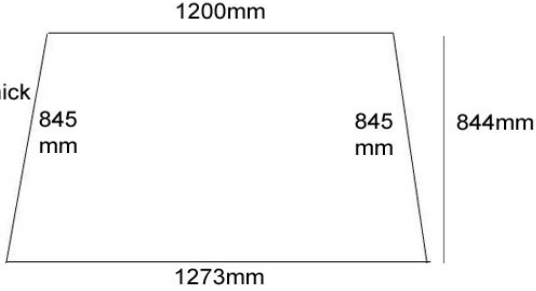
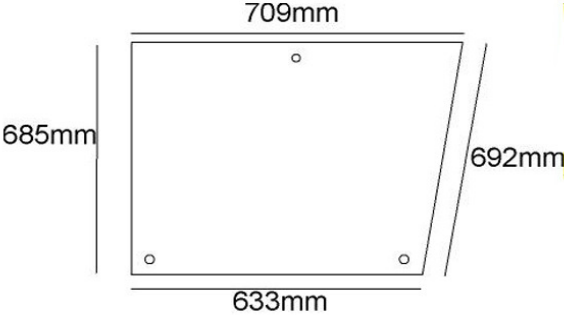
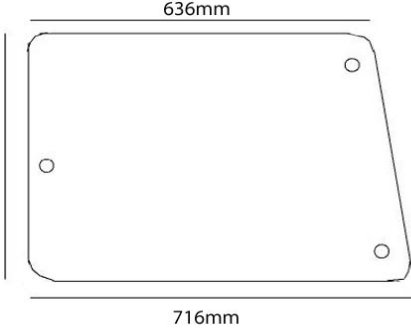
<p>ZETOR</p>	<p>REAR WINDOW 7 HOLE</p>	<p>60117910</p>	<p>Flat clear 6mm thick 7 holes</p> 	
<p>ZETOR</p>	<p>REAR WINDOW 5 HOLE</p>	<p>62117909</p>	<p>Flat clear 6mm thick 5 holes</p> 	
<p>ZETOR</p>	<p>TOP OPENING LH/RH</p>	<p>60117961</p>	<p>Flat Clear 6mm thick 3 holes</p> 	

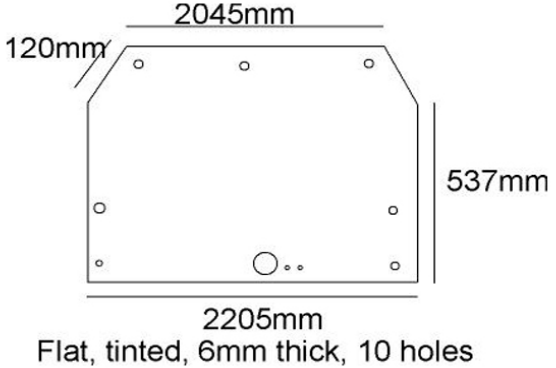
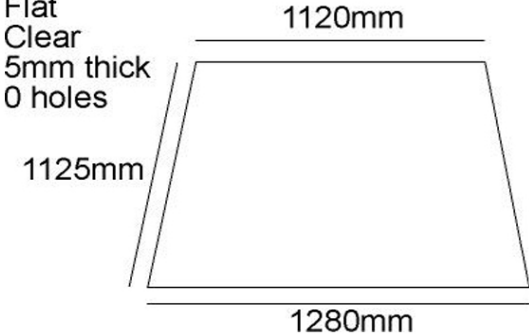
<p>ZETOR</p>	<p>HEATED REAR</p>	<p>16369192</p>	<p>Flat tinted 6mm thick 10 holes</p>  <p>Heating wires</p>	
<p>ZETOR</p>	<p>REAR</p>	<p>53369198</p>	<p>Flat clear 6mm thick 10 holes</p> 	
<p>ZETOR</p>	<p>REAR</p>	<p>53369005</p>	<p>Flat clear 6mm thick 9 holes</p> 	

<p>ZETOR</p>	<p>RH DOOR</p>	<p>53369091</p>	<p>Curved clear 5mm thick 7 holes</p>  <p>1440mm</p>	
<p>ZETOR</p>	<p>LH DOOR</p>	<p>53369088</p>	<p>Curved clear 5mm thick 7 holes</p>  <p>1440mm</p> <p>670mm</p> <p>790mm</p>	
<p>ZETOR</p>	<p>WINDSCREEN</p>	<p>53369006</p>	<p>Curved clear 6mm thick no holes</p>  <p>1195mm</p> <p>845mm</p> <p>1270mm</p>	

<p>ZETOR</p>	<p>DUNCAN REAR</p>	<p>RP204</p>	<p>Flat clear 5mm thick 8 holes</p> 	
<p>ZETOR</p>	<p>REAR HEATED</p>	<p>83368181</p>	<p>Flat clear 6mm thick 7 holes</p> 	
<p>ZETOR</p>	<p>WINDSCREEN UR1</p>	<p>59117937</p>	<p>Flat clear 5mm thick no holes</p> 	

<p>ZETOR</p>	<p>REAR HEATED 8211</p>	<p>84368071</p>	 <p>1100mm</p> <p>655mm</p> <p>1170mm</p> <p>Flat, clear, 5mm thick, 6 holes</p>	
<p>ZETOR</p>	<p>SIDE UR1</p>	<p>59117907</p>	 <p>835mm</p> <p>750mm</p> <p>760mm</p> <p>970mm</p> <p>Flat, clear, 5mm thick, 0 holes</p>	
<p>ZETOR</p>	<p>SIDE UR3</p>	<p>10368113</p>	 <p>515mm</p> <p>780mm</p> <p>905mm</p> <p>Flat clear 6mm thick 4 holes</p>	

<p>ZETOR</p>	<p>SCREEN (LAMINATED)</p>	<p>53369038</p>	<p>Flat tinted 6.5mm thick 0 holes</p>  <p>1200mm 845 mm 845 mm 844mm 1273mm</p>	
<p>ZETOR</p>	<p>DUNCAN SIDE (BOTTOM OPENING)</p>	<p>RP203</p>	<p>Flat, clear, 5mm thick, 3 holes</p>  <p>709mm 685mm 692mm 633mm</p>	
<p>ZETOR</p>	<p>DUNCAN SIDE (SIDE OPENING)</p>	<p>RP201</p>	<p>Flat clear 5mm thick 3 holes</p>  <p>636mm 693 mm 716mm</p>	

<p>ZETOR</p>	<p>REAR</p>	<p>53369201</p>	 <p>2045mm</p> <p>120mm</p> <p>537mm</p> <p>2205mm</p> <p>Flat, tinted, 6mm thick, 10 holes</p>	
<p>ZETOR</p>	<p>8011 WINDSCREEN</p>	<p>80368232</p>	 <p>Flat Clear 5mm thick 0 holes</p> <p>1120mm</p> <p>1125mm</p> <p>1280mm</p>	